

摩托车电阻(Automobile Resistor) TWR 5W-40W

功率大，体积小，温度低，性能稳定，可满足多款摩托车型的电阻器

High Power, Small Size, Low Temperature, Stable Performance, meet requirements of various motorcycle models



■ 结构 (Structure)

将电阻绕线丝绕制在耐热性绝缘散热的玻纤基体上形成线绕电阻芯，一端连接绝缘耐高温导线，另一端连接金属端，经全部检测合格后把线绕电阻芯放入不同尺寸金属壳内部，用特殊不燃性耐热水泥电子填充料密封，经自然阴干后高温烘烤而成。

The resistance wire is wound on glass fiber bar as resistance element, one end connected with insulated high-temperature-resistant cable, the other end is connected with metal terminal, then put the resistor core into metal shell, sealed with special non-combustible heat-resistant cement electronic filler, and baked at high temperature after natural drying in the shade.

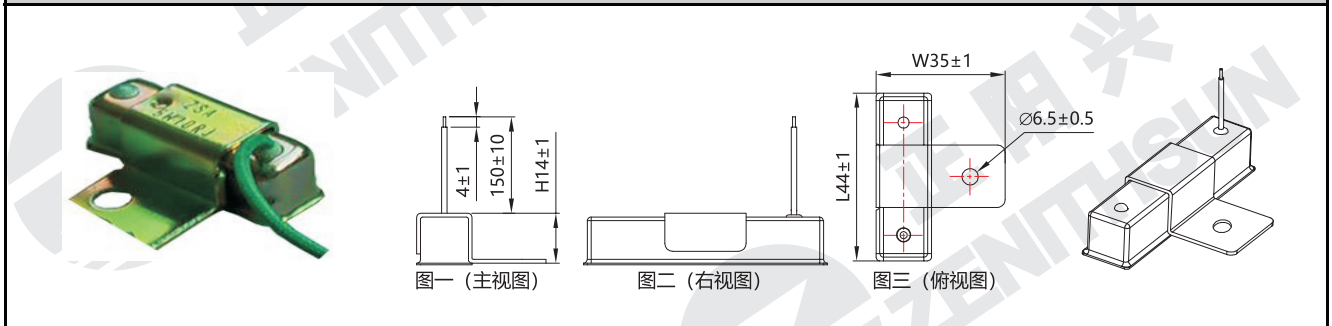
■ 特点(Features)

1. 摩托车用电阻叫泄流电阻 (或泄放电阻), 并联在储能元件两端提供一个消耗能量的通路, 使电路安全, 主要是起到保护用电器、稳压的作用。  
also called Discharge Resistor, connected in parallel at both ends of energy storage element to provide an energy consuming path to make the circuit safe, protect electrical elements, stabilize voltage.
2. 可以实现一个或二个阻值。  
single or two resistance value are available.
3. 根据不同的车型和客户的要求, 可以选择 5W, 20W, 30W, 5W+20W, 5W+30W, 20W+20W 等。  
5W, 20W, 30W, 5W+20W, 5W+30W, 20W+20W are available for different motorcycles models and customers' requirements.
4. 可以依客户要求安装和装配开模定制。  
Customized items are available.
5. 电阻引出末端可依据客户要求连接不同的连接器。  
Different connectors are available.

■ 适用范围 (Application)

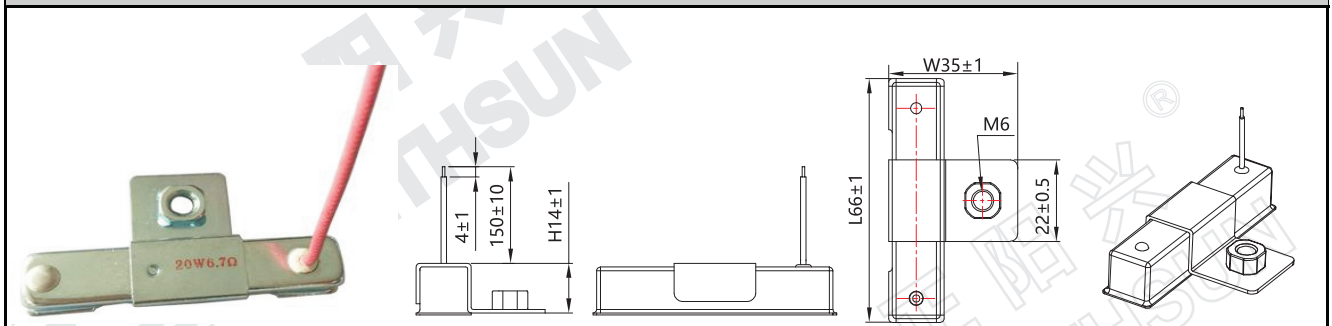
深圳市正阳兴电子的系列摩托车电阻生产周期为3-4周, 生产全系列摩托车电阻, 用于五羊-本田、嘉陵本田、新大洲、印龙、印沙、豪迈、小公主、大公主、喜俊、喜致、喜利、喜悦、悦悦、追梦、飞梦、佳颖等所有GY6系列通用。常见阻值为5R, 5R9, 6R7, 9R5, 10R, 10R5等阻值。  
Lead Time: 3-4 weeks. Zenithsun produces whole series of motorcycles resistors for different motorcycle models. the common resistance value are 5R, 5R9, 6R7, 9R5, 10R, 10R5, etc.

■ 产品尺寸图表TWR 5W (Dimension Chart)



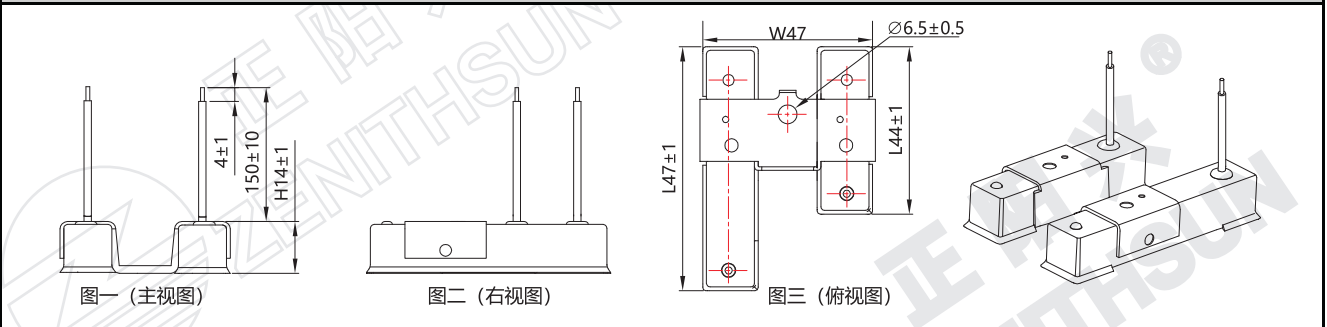
特性参数 Specifications				尺寸 Dimensions(mm)					备注 Note
额定功率(W) Rated Power	阻值范围 (R) Ohms Range	阻值精度 Tolerance	额定电流(A) Rated Current	L	W	H	Φ	A	
5W	1R-2.2K	J/K	0.05A-2.23	44	35	14	6.5	100-200	

■ 产品尺寸图表TWR 10W/20W (Dimension Chart)



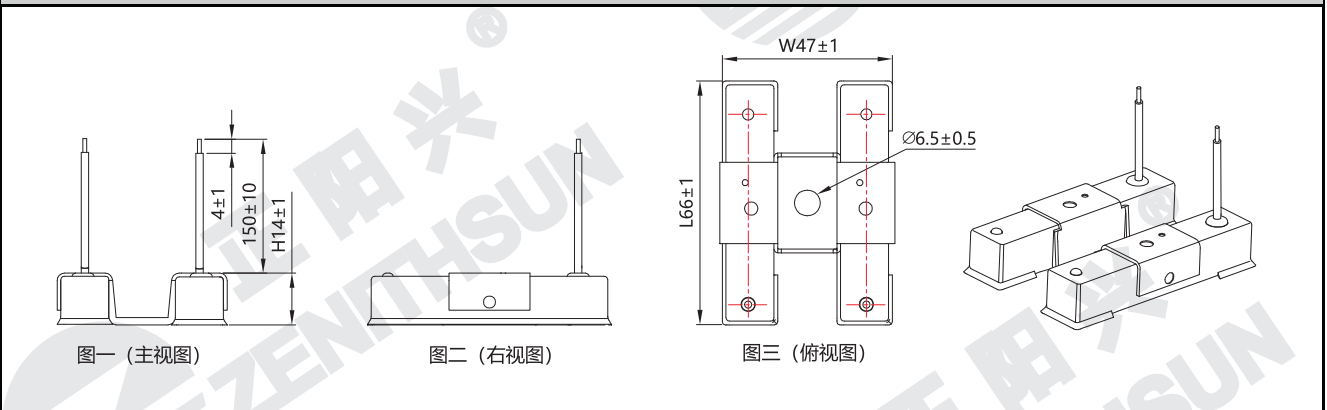
特性参数 Specifications				尺寸 Dimensions(mm)					备注 Note
额定功率(W) Rated Power	阻值范围 (R) Ohms Range	阻值精度 Tolerance	额定电流(A) Rated Current	L	W	H	Φ	A	
10W-20W	2R2-2.7K	J/K	0.06A-3	66	35	14	M6	100-200	

**■ 产品尺寸图表TWR 5W+20W (Dimension Chart)**



特性参数 Specifications				尺寸 Dimensions(mm)					备注 Note
额定功率(W) Rated Power	阻值范围 (R) Ohms Range	阻值精度 Tolerance	额定电流(A) Rated Current	L	W	H	Φ	A	
5W+20W	1R-2.7K	J/K	0.05A-3	66	47	14	6.5	100-200	

**■ 产品尺寸图表TWR 20W+20W (Dimension Chart)**



特性参数 Specifications				尺寸 Dimensions(mm)					备注 Note
额定功率(W) Rated Power	阻值范围 (R) Ohms Range	阻值精度 Tolerance	额定电流(A) Rated Current	L	W	H	Φ	A	
20W+20W	1R-2.7K	J/K	0.06A-3	66	47	14	6.5	100-200	

**■ 定货示例 (How to order)**

TWR	20W	10R	J	
↓	↓	↓	↓	
系列 Series	功率 Power	标称阻值 Nominal value	精度 (K: ±10%, J: ±5%, G±2%, F±1%) Tolerance	

05



■ 摩托车电阻性能实验参数 (Performance Characteristics)		
项目 Test	试验条件 Conditions of Test	性能要求 Testing Results
电阻值容许误差 Resistance Tolerance	测试电压≤3V,环境温度25°C Testing Voltage ≤3V, Ambient Temperature 25°C	J--K
温度系数 T.C.R	$\frac{R1-R0}{R0(T1-T0)} \times 10^6$ (PPM/°C) R0:常温(T0)下阻值 R0:Room Temperature(T0)Resistance R1:常温T0+100°C(T1)下阻值 R1:Room Temperature T0+100°C(T1)Resistance	±260PPM Max
额定负荷 Rated Load	40°C额定电压, 1小时 40°C, rated voltage, 1 hour	$\Delta R \leq \pm 3\%R + 0.1\Omega$
短时间过负荷 Short Time Overload	10倍额定功率, 5秒钟 10 times rated power for 5s	$\Delta R \leq \pm (2\%R + 0.1\Omega)$
引出端对地绝缘耐压 Dielectric Withstand Voltage	1KVdc 60秒,漏电流2.5mA 1KVdc 60s, leakage current 2.5mA	$\Delta R \leq \pm (0.1\%R + 0.05\Omega)$
绝缘电阻值 Insulation Resistance	1000Vdc	50~1000MΩ, 1Min
引出端强度 Terminal Tensile Strength	2Kg 30s	无脱落 No off
耐振性 Vibration resistance	1.5mm, 10-55-10Hz, 分别2小时 1.5mm, 10-55-10Hz, each 2hours	无破损, 无脱落 No damage, No off
室温耐久性 Load Life	额定电压, 通电90分钟, 停30分钟, 共500小时 At rated voltage, 90 min "On", 30 min "Off", total 500hours	$\Delta R \leq \pm (5\%R + 0.1\Omega)$
热冲击 Thermal Shock	静置于30°C, 30分钟, -55°C, 15分钟 Standing at 30°C for 30 minutes, then standing at -55°C for 15 minutes	$\Delta R \leq \pm (2\%R + 0.1\Omega)$
耐湿性 Humidity	温度: 40±2°C 湿度: 90%-95%.240小时 Temp.: 40±2°C, RH: 90%-95%, 240 hours	$\Delta R \leq \pm (3\%R + 0.1\Omega)$
不燃性 Non-flammability	5-10-16倍额定功率, 通电5分钟 5-10-16 times rated power, power on for 5Min	允许开路, 但不燃烧 Without combustion

■ 摩托车电阻降功耗曲线图 (Derating Curve)

